

# FDX-3000-PRO

Single-Mode DVI-D, Stereo Audio, &  
USB Keyboard-Mouse Fiber Extender



Send DVI-D video, stereo audio, RS-232, & USB keyboard-mouse signals up to 10km (6.2m) away with a single-mode fiber optic cables

## FEATURES

- Single-mode fiber optic extension up to 10km (6.2m)
- Supports DVI-D
- Supports video resolutions up to 1080p Full HD (1920x1080 @ 60Hz)
- Supports USB 2.0 (keyboard-mouse only)
- Supports stereo audio
- Supports RS-232
- Supports all computer operating systems
- Compact, durable chassis

## APPLICATIONS

- Industrial Control Rooms
- Isolated Long-Range Workstations
- Corporate Communications
- Remote Asset Management
- Long-Range KVM Applications
- Medical Communication and Administration
- Financial Management & Communications

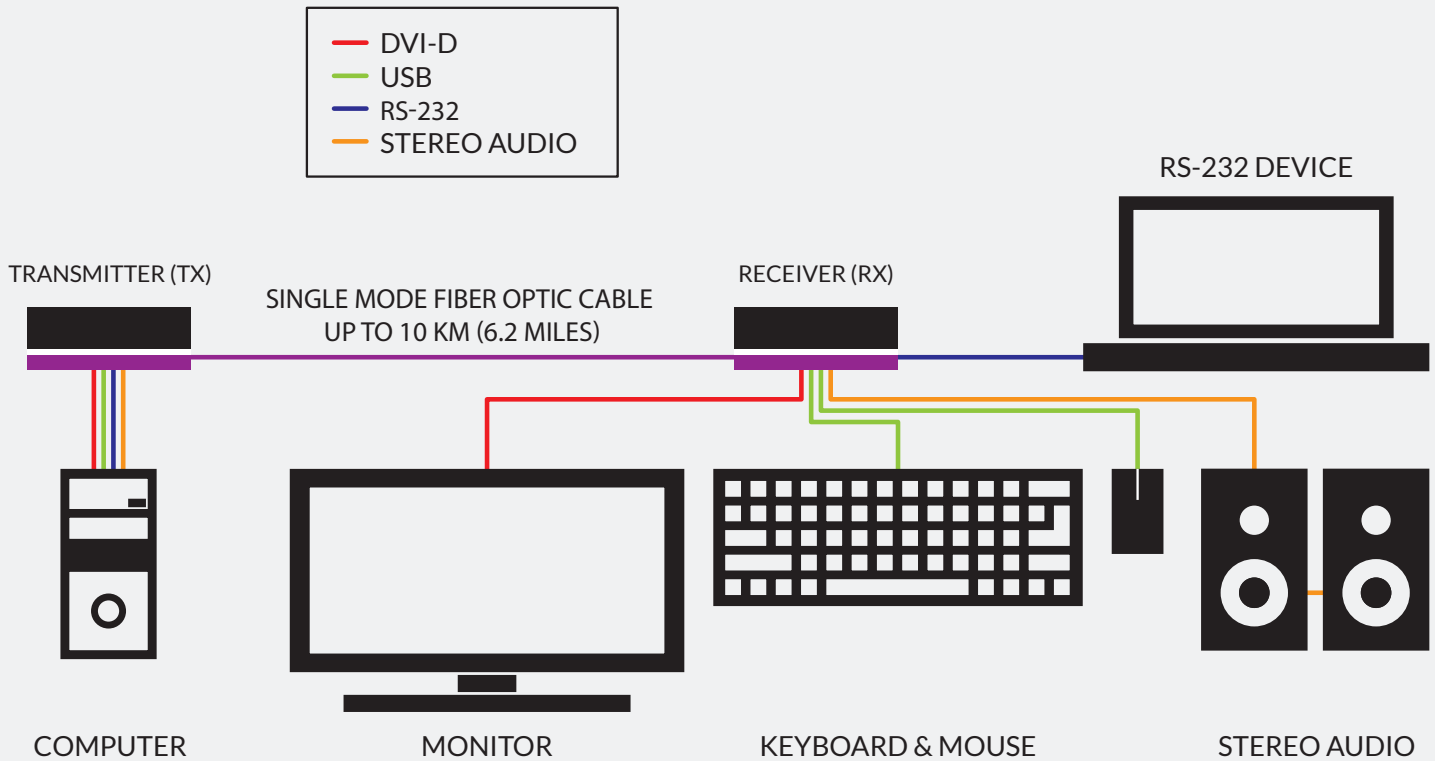


Smart-AVI  
www.smartavi.com

# BOOST THE RANGE OF YOUR HD SIGNALS & KVM OPERATIONS

The FDX-3000-PRO is a single-mode fiber extender for DVI-D video, stereo audio, RS-232, and USB keyboard-mouse signals. Using its powerful fiber optic technology, the FDX-3000-PRO sends 1080p (1920x1080 @ 60Hz) Full HD audio-video and keyboard-mouse signals up to 10km (6.2m) away at lightning fast speeds without the risk of interference or interception.

## APPLICATION DIAGRAM



## FRONT AND BACK

FDX-3000-PRO Front



FDX-3000-PRO TX Rear



FDX-3000-PRO RX Rear



# SPECIFICATION (CONTINUED)

VIDEO	
Format	Single-Link DVI-D
Input	(1) DVI-D Female (Single-Link)
Output	(1) DVI-D Female (Single-Link)
Max. Pixel Clock	165 MHz
Max. Data Rate	6.75 Gbps
Max. Resolution	Up to 1080p (1920x1080 @ 60Hz)
Input Cable Length	Up to 20 ft.
Output Cable Length	Up to 20 ft.
AUDIO	
Input Interface	(1) 3.5 mm Stereo Audio
Output Interface	(1) 3.5 mm Stereo Audio
USB	
Signaling	USB Keyboard-Mouse Only
Input	(1) USB Type-B
Output	(2) USB Type A
RS-232	
Signal Direction	Unidirectional
Max. Baud Rate	115200bps (self-adaptive)
Data Bits	8
OTHER	
Power Adaptor	12VDC2A
Dimensions	6.25" W x 1.875" H x 5.0" D
Weight (TX & RX)	1.45 lbs (0.725 lbs per unit)
Approvals	UL, CE, ROHS Compliant
Fiber Interface & Type	LC Single-Mode Fiber
Transmission Distance	Up to 10km (6.2 miles)
Operating Temperature	32 to 122°F (0 to 50°C )
Storage Temperature	-4 to 149 °F (-20 to 65°C )
Working Humidity	Up to 85% RH (no condensation)
Storage Humidity	Up to 90% RH (no condensation)

## ORDERING INFORMATION

Part No.	Description
FDX-3000-PROS	Single-Mode DVI-D, Stereo Audio, RS-232, and USB Keyboard-Mouse Fiber Extender. Includes: [FDX-TX3000P, FDX-RX3000P, FDX-3000TX-TR, FDX-3000RX-TR & (PS12VDC2A)]



Designed and Manufactured in the USA

**Smart-AVI**  
SMART AUDIO VIDEO INNOVATION

[www.smartavi.com](http://www.smartavi.com)